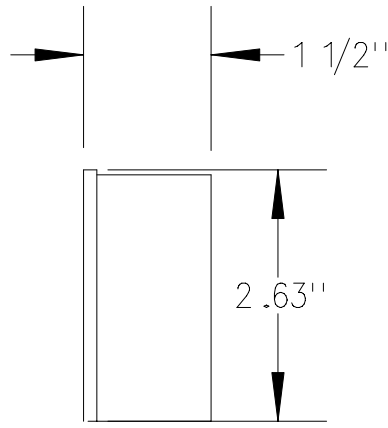
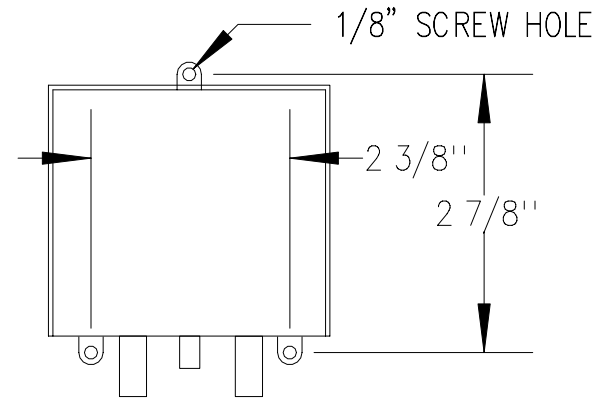


PLAN



SIDE



BACK

AT30S
VARIABLE ATTENUATOR
DC V PASSIVE

0-20 dB INFINITE ATTENUATION
Frequency Range: 0- 20 MHz

BI-DIRECTIONAL

Featuring products manufactured by:



At Sea Electronics, Inc.
5364 Ehrlich Road, MBN 17
TAMPA, FLORIDA 33624
PH/FAX: 813/961-3829; e-mail: RBHoel@surf.free.com

DRAWN BY	DATE
RONALD B. HOEL	July 1, 1997
CHECKED BY	DATE
Appvl.	DATE
Appvl.	DATE
Appvl.	DATE
Appvl.	DATE

AT-30S 0 - 20 dB ATTENUATOR DIMENSIONAL DIAGRAM APPLICATION: AM- FM ANTENNA & AMPLIFIER HEAD- END			
SIZE	CAGE	VESSEL:	REV
D		TYPE VESSEL	
		VESSEL CLASS	
SCALE	NAVAL DWG. #	SHEET NO	
NONE	AT30SDIM.DWG	ONE OF ONE	